

# auto electrical parts

## Technical Information Sheet

### Part No. 0-442-17

High intensity White LED warning light with chrome bezel. Dual voltage 4 LED unit with 19 programmable flash sequences, can be synchronized with other units, two bolt fixing. CE and ECE approved.

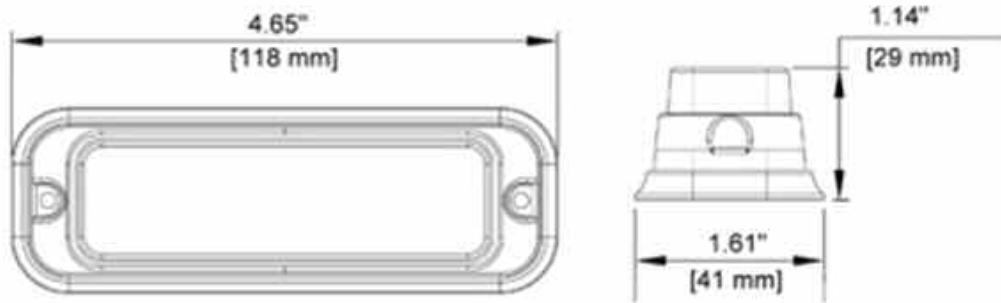
#### Additional information

Red wire +ve supply  
 Black wire -ve ground  
 White wire alternating flash  
 Yellow wire synchronization and flash pattern

Momentarily connecting the yellow wire to red changes the flash pattern, sequencing it through the 19 patterns, connecting it 3 times in quick succession resets the flash pattern to default (sequencing). Connecting the yellow wires together synchronizes the lights provided they have been set to the same flash pattern. Connecting one white wire to red will alternate the flash pattern of a pair of lights.



#### Technical Drawing (not to scale)



#### Specification

Type High intensity LED stobe  
 Colour White  
 Number of LEDs 4 x 1 watt  
 Voltage 12/24 volt dc  
 Current 0.70 amps  
 Flash patterns 19  
 Base Metal Alloy  
 Bezel Chromed plastic  
 Operating temperature -30°C to +60°C  
 Protection IP68  
 Compliance CE, ECE

No.	Flash Pattern	No.	Flash Pattern
0	Random (default)	10	Double (all)
1	Single (split)	11	Quad (all)
2	Double (split)	12	Quint (all)
3	Quad (split)	13	Mega (all)
4	Quint (split)	14	Ultra (all)
5	Mega (split)	15	Single-Quad (all)
6	Ultra (split)	16	Single H/L (all)
7	Single-Quad (split)	17	Steady 2 (California)
8	Single H/L (split)	18	Steady 4 (all)
9	Single (all)		

The information contained in this document is correct to the best of our knowledge at the time of printing. However, specifications may change at any time without notice.